



# INSTRUCTION MANUAL

**DRY IRON**

**Model - EI 3402**





Dear customer,

Congratulations!

You are now the proud owner of USHA Electric Iron.

Innovatively designed, using only the highest quality material and components,  
Your USHA Electric Iron is designed for years of trouble free performance.

Please read this Instruction Manual carefully before using and keep it  
cautiously after reading for future reference.

Best Wishes

## IMPORTANT PRECAUTIONS

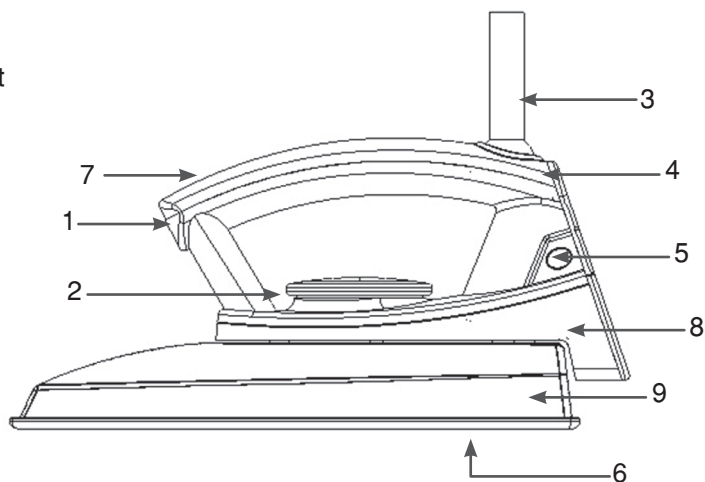
Please read operation instructions before using the appliance.

- Never leave the iron 'ON' when not under observation. Unplug the iron, even when momentarily absent from the room. Keep away from the reach of children.
- Take care that the main cord does not touch the sole plate when it is hot.
- Never use the iron if it is damaged in any way.
- For your safety, please ensure the power supply is with ELCB.

Note: Some parts of the iron have been slightly greased and as a result, the iron might give out slight smoke when used for the first time. After a short while however this ceases.

### IDENTIFICATION OF PARTS:

1. Body
2. Thermostat Knob
3. Cord
4. Back Cover
5. Indicator Light
6. Sole Plate
7. Top Cover
8. Skirt
9. M.S Cover





## TECHNICAL INFORMATION

WATTAGE	1000W
VOLTAGE	220-240 V Ac, 50 Hz
SOLEPLATE	Aluminium Alloy Soleplate with Dupont Black American Heritage coating

Due to continuous efforts for product up gradation, specifications are subject to change without prior notice.

### FEATURES:

- 1000 Watts element for powerful performance with minimum heating time
- Sleek and elegantly designed Cool touch Non-current carrying plastic handle to ensure protection from electric shocks
- American Dupont Heritage coated non-stick soleplate with tubular element for effortless ironing with best results.
- Ultra Light Weight Aluminium Alloy Soleplate with easy grip fabric selector knob for a comfortable ironing experience
- Centrally placed 360 degree swivel Cord for both left and right hand operation.
- Snap action thermostat for accurate temperature control.
- Indicator lamp for thermostat function indication.
- Button groove in soleplate for reaching into the tricky area under buttons.

## HOW TO USE IRON

### Setting The Temperature

- The indicator lamp switches 'On' with the appliance and indicates that the sole plate is heating up. Once the desired temperature is achieved the signal light will turn 'Off' soleplate heating is 'OFF'. So start ironing your fabric. The indicator light will switch ON/OFF from time to time in order to regulate the temperature of the soleplate.
- Always check first whether ironing instructions are attached to the articles to be ironed. (They can be found on the label)
- If ironing instructions are missing but you do know the kind of fabric, refer the temperature table.
- Textile to which some kind of finish has been applied (gloss, wrinkle, relief etc.) can be ironed at somewhat lower temperature.
- If the fabric consists of various kinds of fibres you must always select the lowest ironing temperature of the composition (e.g. an article consisting of 60% polyester and 40% cotton, should be ironed at the temperature indicated for polyester).
- Velvet and other textiles which rapidly acquire shiny spot should be ironed in one direction only, applying light pressure.
- Sort your clothes taking into account the nature of fabric and start ironing clothes that are more sensitive to heat (i.e. requires a cooler temperature setting)
- Always keep the iron moving.

### TEMPERATURE TABLE (ONLY FOR REFERENCE)

		
<p>↑</p> <p>Nylon/Synthetic Orion/Terylene</p>	<p>↑</p> <p>Dacron silk Thickwool/Wool</p>	<p>↑</p> <p>Cotton/Linen Thick Cotton</p>

## HINT FOR CARE OF THE IRON

To keep the sole plate of your iron clean at all times:

- Do not place the sole plate on a rough or abrasive surface.
- Do not use the iron on metallic fittings, zips etc. to avoid scratches.
- After each use, clean with a damp cloth when the iron is still warm. For stubborn marks, clean with vinegar when the iron is cold and then clean with damp cloth.
- Never immerse the iron in water.
- Never select higher temperature for the article to be ironed otherwise you run the risk of scorching the fabric and damaging the sole plate.

## STORING

- Before storing let the iron cool down sufficiently (standing on the back rest).
- Clean the iron with a damp cloth.
- Store the iron standing on its back rest to prevent damages to the sole plate.

In case of any defect do not tamper with the appliance yourself, contact USHA Care at Toll Free No. 1800 1033 111.

**WARRANTY CARD**

This appliance is warranted for 1 year against all manufacturing defects from the date of sale. In the event of any complaint, please contact Usha Care at Toll Free No. 1800 1033 111.

**The warranty is valid only when:**

- 1) The appliance has been installed, used and maintained in accordance with the instruction manual.
- 2) The warranty card and cash memo duly signed by the authorized dealer are presented with the complaint.
- 3) The appliance has not been opened or tampered with, by any unauthorized person.

**This warranty does not apply for:**

- 1) Damages due to chipping, peeling, plating and denting.
- 2) Breakage or damage to components made out of Bakelite, Urea, ABS, SAN and such plastic materials, rubber parts and cord.
- 3) Normal wear and tear of parts.
- 4) Damage resulting from accidents, mishandling or negligence on part of the customer.

**Liability for consequential loss or damage is neither accepted nor implied.**

S.NO: \_\_\_\_\_

CASH MEMO \_\_\_\_\_ DATE: \_\_\_\_\_

DEALER'S NAME AND ADDRESS: \_\_\_\_\_  
\_\_\_\_\_

OWNER'S NAME & ADDRESS: \_\_\_\_\_  
\_\_\_\_\_

**USHA care™**

Toll free

1 800-1033-111

Email: [usha\\_care@ushainternational.com](mailto:usha_care@ushainternational.com)  
 <http://www.facebook.com/ushainternational>

## USHA INTERNATIONAL LTD.

Plot No.15, Institutional Area, Sector 32, Gurgaon - 122 001 (Haryana) Tel : +91-124-4583100, Fax : +91-124-4583200

E-mail : [corporate@ushainternational.com](mailto:corporate@ushainternational.com) Website : [www.ushainternational.com](http://www.ushainternational.com)

Regd. Office : Surya Kiran Building, 19 Kasturba Gandhi Marg, New Delhi (India) Tel : +91 11 23318114 Fax : +91 11 23318118



**SHRIRAM**

Fans • Sewing Machines • Home Appliances • Engines & Pumpsets • Electrical Motors & Pumps • Water Coolers & Dispensers  
• Inverters • Cook Tops, Hobs & Hoods • Auto Components

**USHA**

® Registered Trademark and Copyright of USHA INTERNATIONAL LTD.



® Registered Trademark of USHA INTERNATIONAL LTD.

ISO 9001:2008  
Certified Company